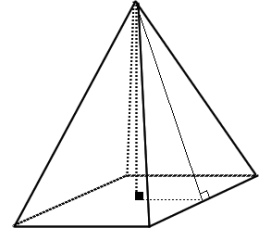
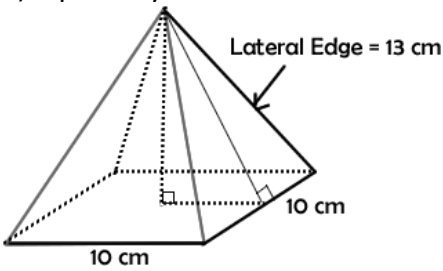


1. Jeff missed class and Dillon is explaining the notes. "The slant height and the height of the pyramid basically mean the same thing." Is this summary of height correct? Explain.



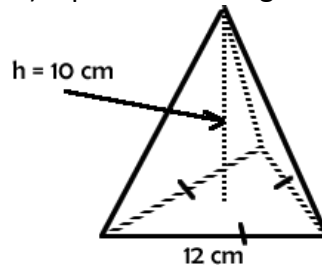
2. Determine the volume of the pyramid.

a) Square Pyramid



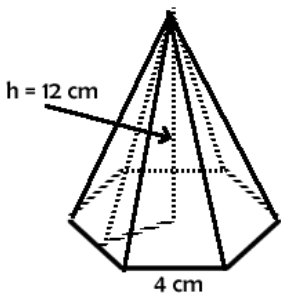
Volume = _____ (2 dec.)

b) Equilateral Triangular Pyramid



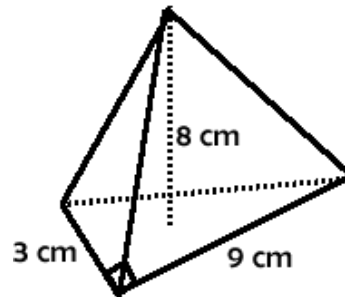
Volume = _____ (E)

c) Regular Hexagonal Pyramid



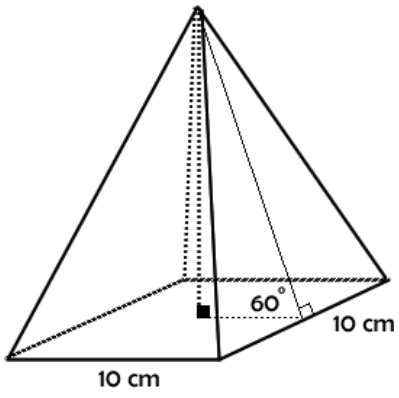
Volume = _____

d)



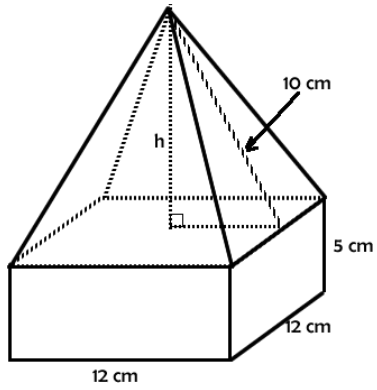
Volume = _____ (2 dec.)

e) Square Pyramid



Volume = _____ (E)

f)



Volume = _____